

TRANSISTORS & ICs

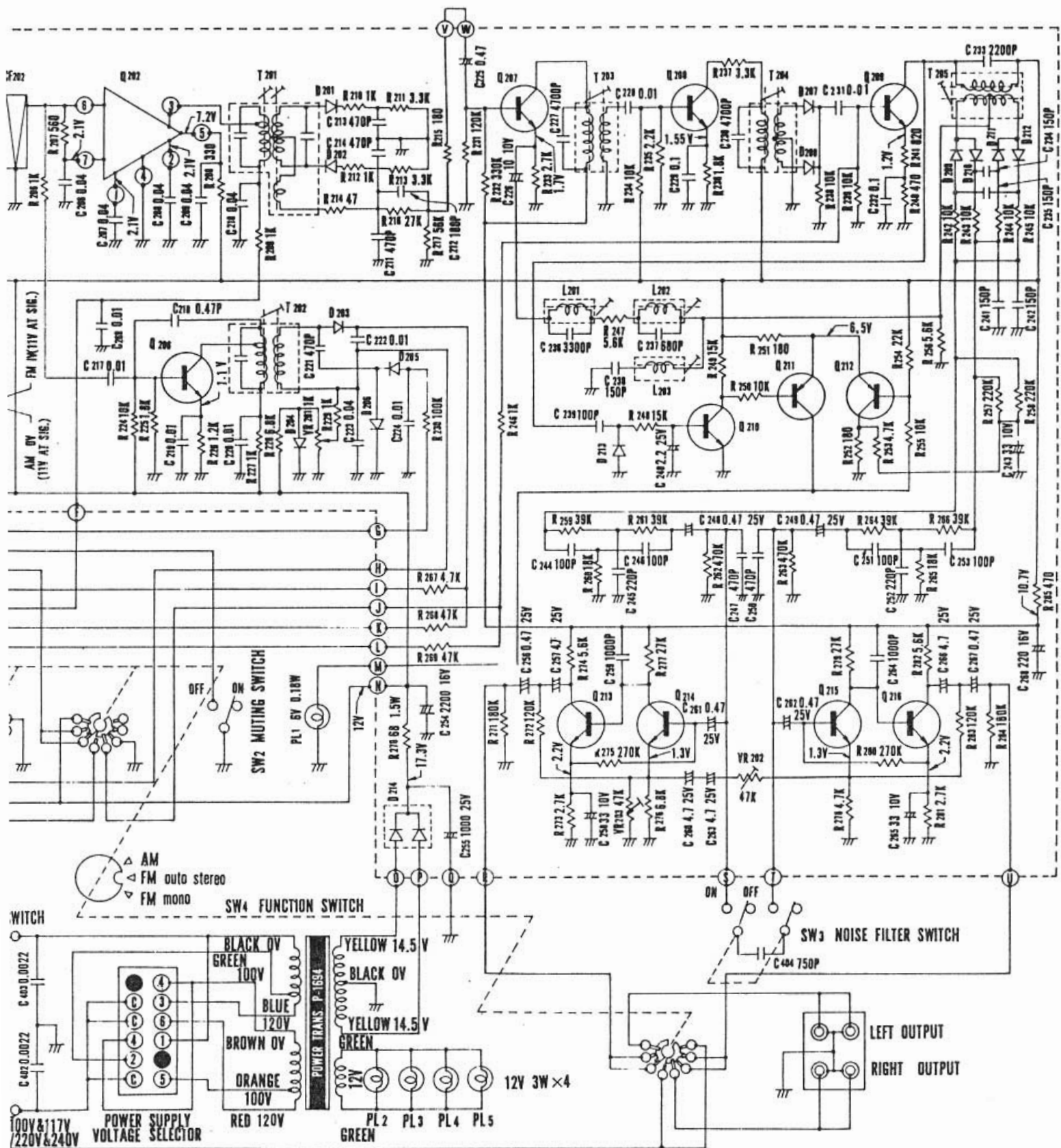
Q 201, Q 202	TA706TP
Q 206, Q 301, Q 302, Q 303	2SC381R
Q 207, Q 213, Q 214	2SC6936U
Q 215, Q 216	
Q 203, Q 204, Q 205, Q 208	2SC537E/F
Q 209, Q 210, Q 304	2SB187
Q 211, Q 212	
DIODES	
D 201, D 202, D 203, D 205	1S18(Ge)
D 206, D 207, D 208, D 209	
D 209, D 210, D 211, D 212	
D 213, D 304, D 305, D 306	
D 204, D 302, D 303	
B 301	KB265(Si)
D 214	K8165(Si)
D 214	10DC-1(Si)

NOTES

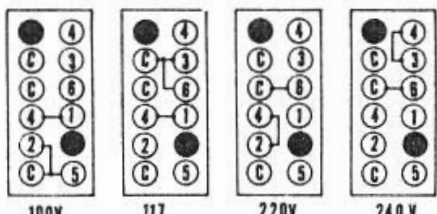
1	PL1	STEREO INDICATOR
2	PL2, PL3, PL4, PL5	DIAL ILLUMINATIONS
2	VR201	FM MUTING ADJ.
4	VR202	SEPARATION ADJ.
5	VR203	BALANCE ADJ.
6	VR301	AM AGC ADJ.
8	VR302	AM MUTING ADJ.
9	T 201	Y4FC620076BJK
10	T 202	TKAC-14733K
11	T 203	CAN-1310QH2
12	T 204	CAN-1308CY02
13	T 205, T 207	CAN-1309CY02
14	T 206	CAN-1089HM2
15	T 208	CAN-1311HM2
16	T 301	YXR189Q96N

- | | | |
|----|--|--------------|
| 17 | T 302 | Y6AQ620025AA |
| 18 | T 303 | Y6AQ620028HA |
| 19 | T 304 | YMC-15002A |
| 20 | ALL RESISTOR IN OHMS (K = $\times 10^3$, M = $\times 10^6$) $\pm 5\%$, $\pm 10\%$ | |
| 21 | ALL CAPACITORS IN MICRO FARADS $\mu = \times 10^{-6}$ | |
| 22 | TRANSISTORS AND DIODES MAY BE REPLACED WITH ANY TYPES HAVING COMPARABLE RATINGS. | |
| 23 | VOLTAGES MEASURED WITH "VTVM" WITH NO SIGNAL INPUT. | |
| 24 | THERE MIGHT BE SLIGHT CHANGES IN THE ACTUAL SET. | |

FUSE 0.5A/100V & 117V
0.25A/220V & 240V



±W, ±10%
-12



CONNECTIONS FOR POWER SUPPLY VOLTAGE SELECTOR (VIEWED FROM BOTTOM)